

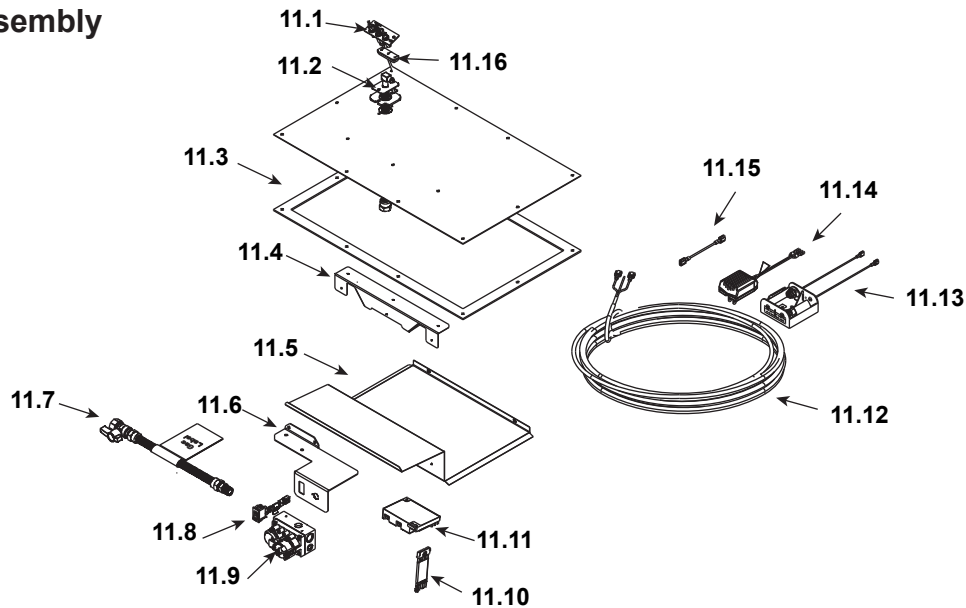
IMPORTANT: THIS IS DATED INFORMATION. Parts must be ordered from a dealer or distributor. **Hearth and Home Technologies does not sell directly to consumers.** Provide model number and serial number when requesting service parts from your dealer or distributor.



**Stocked
in Depot**

ITEM	DESCRIPTION	COMMENTS	PART NUMBER	
1	Mesh Assembly		MESH-TWI-EXT	Y
2	Outdoor Glass Assembly		GLA-OUTDOOR2	
3	Pilot Shield		2290-109	
4	Burner Assembly		2290-007	Y
5	Firebox Bracket	Qty 2 req	2290-123	
6	Glass Clip	Qty 2 req	2087-121	
7	Indoor Glass Assembly		GLA-6TROC	Y
8	Base Pan Assembly		2290-015	
9	Junction Box		SRV4021-013	Y
10	Junction Box Shield		2087-149	

#11 Valve Assembly



IMPORTANT: THIS IS DATED INFORMATION. Parts must be ordered from a dealer or distributor. **Hearth and Home Technologies does not sell directly to consumers.** Provide model number and serial number when requesting service parts from your dealer or distributor.



Stocked in Depot

ITEM	DESCRIPTION	COMMENTS	PART NUMBER	Stocked in Depot
11.1	Pilot Assembly NG		SRV2090-012	Y
	Pilot Assembly LP		2090-013	Y
	Pilot Tube		SRV485-301	Y
11.2	12" Flex Tube Assembly		383-302A	Y
11.3	Valve Plate Gasket		2087-112	
11.4	Valve L Bracket		674-168	
11.5	Valve Bracket		2087-117	
11.6	Valve Assembly Bracket		2087-116	
11.7	Flex Ball Valve Assembly		SRV302-320	Y
11.8	ON/OFF Rocker Switch Assembly		060-521A	Y
11.9	Valve NG		593-500	Y
	Valve LP		SRV593-501	Y
11.10	Wire Assembly		SRV593-590	Y
11.11	Control Module		593-592	Y
11.12	Wall Switch Wire		SRV2118-170	Y
11.13	Battery Pack		SRV593-594	Y
11.14	Power Supply		SRV593-593	Y
11.15	Jumper Wire		2155-033	Y
11.16	3-Hole Grommet		SRV2118-420	
	Burner Orifice (NG) (#32C)		SRV582-832	Y
	Burner Orifice (LP) (#50C)		582-850	Y

Additional service part numbers appear on following page.

